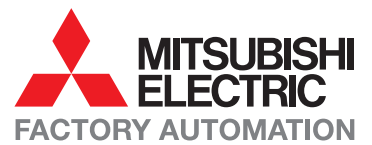


Partner Product

EBG 219-EN



C Connector

Shop floor connectivity for enterprise solutions

Increase visibility and boost productivity
Improve manufacturing performance



IMPROVED QUALITY



Connect PLC to various enterprise applications by pre-configured templates

INTELLIGENT DESIGN



Acquire Real-Time shop floor data from enterprise systems

IMPROVED COMMUNICATION



Control shop floor activities directly from enterprise application via PLC

Collect data more easily from field devices



Field level information becomes easily obtainable

As automation increases in production and logistics, the number of devices which monitor and control individual steps in the process rises almost exponentially. This makes processes faster but also requires higher transparency to allow for further optimization and prompt reaction, e.g. in case of machine failures.

With Ethernet, field bus etc. data from around the plant can be collected over a network such as Mitsubishi's iQ. It allows the integration with field devices from many different manufacturers.

However, for real time control, information about machine conditions, process values and stock level must be communicated as fast as possible through the entire company's control system. The systems integration necessary for this becomes increasingly difficult as overall system complexity increases.

Perhaps most significantly, Enterprise Resource Planning (ERP) such as SAP® systems must be capable of integrating with Manufacturing Execution Systems (MES), i.e. the factory or warehouse floor control system must integrate with the commercial systems used in the company's offices.

ubigrate's C Connector for Enterprise solutions is a component which makes the connection between both worlds. For the automation engineer the C Connector is intuitively operable and for office staff information is presented in a manner which they will find instantly understandable.

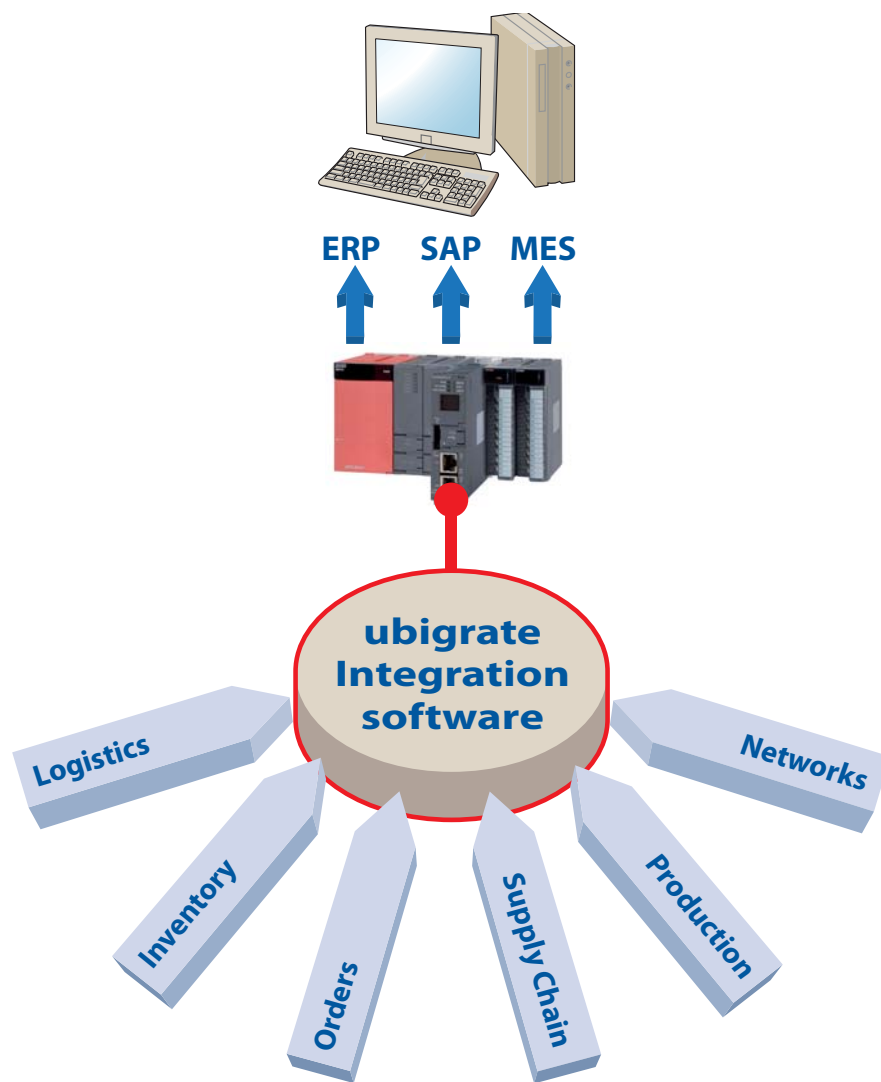
Cross-platform integration closes gaps

ubigrate's C Connector greatly simplifies the cross-platform vertical integration from field level to MES and ERP systems. Its software facilitates direct bidirectional exchange of data between a PLC and the ERP system. This allows both the collection of field device data and the sending of instructions directly from the ERP system.

The C Connector is so streamlined and efficient that it runs directly on a Mitsubishi C-CONTROLLER-CCU. It is very robust, so can be used on the shop floor and connected directly to I/O. Alternatively, it can be used as an aggregator to collect data from multiple PLCs, including 3rd-party products.

Wide fields of application

ubigrate's C Connector can be used literally anywhere a seamless integration from field level to ERP and other Enterprise software is required. This is profitable, for example, in the traceability in the automotive, pharmaceutical and chemical industries. Machine monitoring such as maintenance provision and quality control also benefit from the direct connection to field level data.



A library of template data sets

Templates

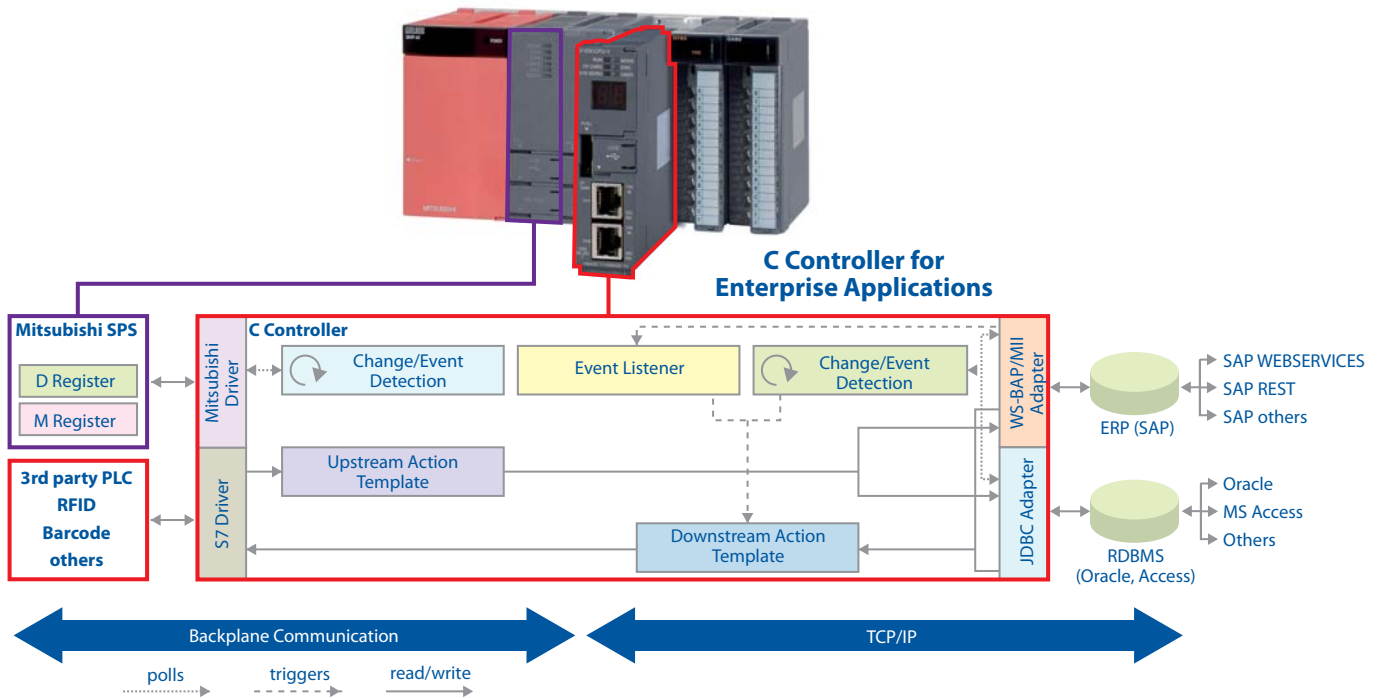
Target systems for the integration are individually selectable using a library of pre-configured integration templates that cover many different SAP® solutions (including PLM, EWM, and MII), Oracle and other databases as well as Web Services and CSV/ Excel file output.

This enables automation engineers to setup a direct connection to a target system just by using the selecting template. Using an intuitive graphical user interface, the template data can be filled in to complete the C Connector setup. Detailed knowledge of the target system and its interfaces is not necessary, as the correct communication is ensured by the template.

The C Connector is a standard component which minimizes integration expenditure, saves development time, reduces potential errors in the program code and lowers overall costs.

Connectivity ///

Mitsubishi Electric Hardware Specifications*



*Minimum configuration: Power supply, PLC, C Controller, backplane

EUROPEAN BRANCHES

MITSUBISHI ELECTRIC EUROPE B.V. Gothaer Straße 8 D-40880 Ratingen Phone: +49 (0)2102 / 486-0	GERMANY
MITSUBISHI ELECTRIC EUROPE B.V. Radlická 714/113a CZ-158 00 Praha 5 Phone: +420 - 251 551 470	CZECH REPUBLIC
MITSUBISHI ELECTRIC EUROPE B.V. 25, Boulevard des Bouvets F-92741 Nanterre Cedex Phone: +33 (0)1 / 55 68 55 68	FRANCE
MITSUBISHI ELECTRIC EUROPE B.V. Viale Colleoni 7 I-20041 Agrate Brianza (MB) Phone: +39 039 / 60 53 1	ITALY
MITSUBISHI ELECTRIC EUROPE B.V. Krakowska 50 PL-32-083 Balice Phone: +48 (0)12 / 630 47 00	POLAND
MITSUBISHI ELECTRIC EUROPE B.V. Carrereta de Rubi 76-80 E-08190 Sant Cugat del Vallés (Barcelona) Phone: 902 131121 // +34 935653131	SPAIN
MITSUBISHI ELECTRIC EUROPE B.V. Travellers Lane UK-Hatfield, Herts. AL10 8XB Phone: +44 (0)1707 / 27 61 00	UK

EUROPEAN REPRESENTATIVES

GEVA Wiener Straße 89 AT-2500 Baden Phone: +43 (0)2252 / 85 55 20	AUSTRIA	AutoCont C.S. s.r.o. Technologická 374/6 CZ-708 00 Ostrava-Pustkovec Phone: +420 595 691 150	CZECH REPUBLIC	KAZPROMAUTOM. Ltd. Mustafina Str. 7/2 KAZ-470046 Karaganda Phone: +7 7212 / 50 11 50	KAZAKHSTAN	Beijer Electronics AS Postboks 487 NO-3002 Drammen Phone: +47 (0)32 / 24 30 00	NORWAY	Beijer Electronics AB Box 426 SE-20124 Malmö Phone: +46 (0)40 / 35 86 00	SWEDEN	TEXEL ELECTRONICS Ltd. 2 Ha'umanut, P.O.B. 6272 IL-42160 Netanya Phone: +972 (0)9 / 863 39 80	ISRAEL
TEHNIKON Oktyabrskaya 16/5, Off. 703-711 BY-220030 Minsk Phone: +375 (0)17 / 210 46 26	BELARUS	B.ELECTRIC, s.r.o. Zakrytá 2/1855 CZ-141 00 Praha 4 – Záběhlice Phone: +420 286 850 848	CZECH REPUBLIC	Beijer Electronics SIA Ritaušmas iela 23 LV-1058 Riga Phone: +371 (0)784 / 2280	LATVIA	Sirius Trading & Services Aleea Lacul Morii Nr. 3 RO-060841 Bucuresti, Sector 6 Phone: +40 (0)21 / 430 40 06	ROMANIA	Omni Ray AG Im Schürli 5 CH-8600 Dübendorf Phone: +41 (0)44 / 802 28 80	SWITZERLAND	CEG INTERNATIONAL Gebaco Center/Block A Autostrade DORA Lebanon - Beirut Phone: +961 (0)1 / 240 430	LEBANON
ESCO D & A Culliganlaan 3 BE-1831 Diegem Phone: +32 (0)2 / 717 64 30	BELGIUM	Beijer Electronics A/S Lykkegårdsvej 17 DK-4000 Roskilde Phone: +45 (0)46 / 75 76 66	DENMARK	Beijer Electronics UAB Savanoriu Pr. 187 LT-02300 Vilnius Phone: +370 (0)5 / 232 3101	LITHUANIA	Craft Con. & Engineering d.o.o. Bulevar Svetog Cara Konstantina 80-86 SER-18106 Nis Phone: +381 (0)18 / 292-24-4/5	SERBIA	GTS Bayraktar Bulvarı Nutuk Sok. No:5 TR-34775 Yukarı İSTANBUL Phone: +90 (0)216 526 39 90	TURKEY	CBI Ltd. Private Bag 2016 ZA-1600 Isando Phone: +27 (0)11 / 977 0770	SOUTH AFRICA
Koning & Hartman b.v. Woluwelaan 31 BE-1800 Vilvoorde Phone: +32 (0)2 / 257 02 40	BELGIUM	Beijer Electronics Eesti OÜ Pärnu mnt.160i EE-11317 Tallinn Phone: +372 (0)6 / 51 81 40	ESTONIA	ALFATRADE Ltd. 99, Paola Hill Malta- Paola PLA 1702 Phone: +356 (0)21 / 697 816	MALTA	INEA SR d.o.o. Izletnicka 10 SER-113000 Smederevo Phone: +381 (0)26 / 617 163	SERBIA	CSC Automation Ltd. 4-B, M. Raskovoyi St. UA-02660 Kiev Phone: +380 (0)44 / 494 33 55	UKRAINE	ILAN & GAVISH Ltd. 24 Shenkar St., Kiryat Arie IL-49001 Petah-Tiqva Phone: +972 (0)3 / 922 18 24	ISRAEL
INEA BH d.o.o. Aleja Lipa 56 BA-71000 Sarajevo Phone: +387 (0)33 / 921 164	BOSNIA AND HERZEG.	Beijer Electronics OY Peltioie 37 FIN-28400 Ulvila Phone: +358 (0)207 / 463 540	FINLAND	INTEHISIS srl bld. Traian 23/1 MD-2060 Kishinev Phone: +373 (0)22 / 66 4242	MOLDOVA	AutoCont Control s.r.o. Radlinského 47 SK-02601 Dolny Kubin Phone: +421 (0)43 / 5868210	SLOVAKIA	CS MTrade Slovensko, s.r.o. Vajanskeho 58 SK-92101 Piestany Phone: +421 (0)33 / 7742 760	SLOVAKIA		
AKHNATON 4 Andrej Ljapchev Blvd. Pb 21 BG-1756 Sofia Phone: +359 (0)2 / 817 6044	BULGARIA	UTECO 5, Mavrogenous Str. GR-18542 Piraeus Phone: +30 211 / 1206 900	GREECE	HIFLEX AUTOM. B.V. Wolweverstraat 22 NL-2984 CD Ridderkerk Phone: +31 (0)180 - 46 60 04	NETHERLANDS	INEA d.o.o. Stegne 11 SI-1000 Ljubljana Phone: +386 (0)1 / 513 8100	SLOVENIA				
INEA CR d.o.o. Losinjska 4 a HR-10000 Zagreb Phone: +385 (0)1/36940-01/-02/-03	CROATIA	MELTRADE KFL Fertő utca 14. HU-1107 Budapest Phone: +36 (0)1 / 431-9726	HUNGARY	Koning & Hartman b.v. Haarlerbergweg 21-23 NL-1101 CH Amsterdam Phone: +31 (0)20 / 587 76 00	NETHERLANDS						



Mitsubishi Electric Europe B.V. /// FA - European Business Group /// Gothaer Straße 8 /// D-40880 Ratingen /// Germany
Tel.: +49(0)2102-4860 /// Fax: +49(0)2102-4861120 /// info@mitsubishi-automation.com /// www.mitsubishi-automation.com

Specifications subject to change /// Art. no. 238435-A /// 11.2010
All trademarks and copyrights acknowledged.